



# STAINLESS STEEL BEVERAGE & SANITARY FILTER HOUSINGS

PRESSURE EQUIPMENT  
DIRECTIVE  
"PED" n° 97/23/CE





## BEVERAGE FILTER HOUSINGS - DIN 11851 IN / OUT CONNECTIONS

MODELLO TYPE	DIMENSIONI DIMENSIONS					CARTUCCE CARTRIDGES		ATTACCHI CONNECTIONS				Q <sup>(1)(2)</sup>	V <sup>(3)</sup>	W <sup>(4)</sup>
	A	B	C	D	E	SIZE / MISURA	N.°	IN	OUT	DRAIN	AIR VENTIL	Lt/h	Lt	Kg
BFH-SMALL10 SS316 - DIN	230	472	429	565	997	10" Cod.7	1	DN25	DN25	1/2"CLAMP	1/2"CLAMP	3000	2,5	8
BFH-SMALL20 SS316 - DIN	230	472	429	565	1237	20" Cod.7	1	DN25	DN25	1/2"CLAMP	1/2"CLAMP	3000	4,5	9
BFH-SMALL30 SS316 - DIN	230	472	429	565	1487	30" Cod.7	1	DN25	DN25	1/2"CLAMP	1/2"CLAMP	3000	5,6	10
BFH-SMALL40 SS316 - DIN	230	472	429	565	1737	40" Cod.7	1	DN25	DN25	1/2"CLAMP	1/2"CLAMP	3000	7,6	11
BFH-SMALL10 SS316 - DIN32	282	495	448	586	1011	10" Cod.7	1	DN32	DN32	1/2"CLAMP	1/2"CLAMP	3500	4	9,5
BFH-SMALL20 SS316 - DIN32	282	495	448	586	1261	20" Cod.7	1	DN32	DN32	1/2"CLAMP	1/2"CLAMP	3500	6	11
BFH-SMALL30 SS316 - DIN32	282	495	448	586	1511	30" Cod.7	1	DN32	DN32	1/2"CLAMP	1/2"CLAMP	3500	8	12,5
BFH-SMALL40 SS316 - DIN32	282	495	448	586	1761	40" Cod.7	1	DN32	DN32	1/2"CLAMP	1/2"CLAMP	3500	10	14
BFH-SMALL10 SS316 - DIN40	282	495	448	586	1011	10" Cod.7	1	DN40	DN40	1/2"CLAMP	1/2"CLAMP	4000	4	9,5
BFH-SMALL20 SS316 - DIN40	282	495	448	586	1261	20" Cod.7	1	DN40	DN40	1/2"CLAMP	1/2"CLAMP	4000	6	11
BFH-SMALL30 SS316 - DIN40	282	495	448	586	1511	30" Cod.7	1	DN40	DN40	1/2"CLAMP	1/2"CLAMP	4000	8	12,5
BFH-SMALL40 SS316 - DIN40	282	495	448	586	1761	40" Cod.7	1	DN40	DN40	1/2"CLAMP	1/2"CLAMP	4000	10	14
BFH-SMALL10 SS316 - DIN50	282	495	448	586	1011	10" Cod.7	1	DN50	DN50	1/2"CLAMP	1/2"CLAMP	4500	4	9,5
BFH-SMALL20 SS316 - DIN50	282	495	448	586	1261	20" Cod.7	1	DN50	DN50	1/2"CLAMP	1/2"CLAMP	4500	6	11
BFH-SMALL30 SS316 - DIN50	282	495	448	586	1511	30" Cod.7	1	DN50	DN50	1/2"CLAMP	1/2"CLAMP	4500	8	12,5
BFH-SMALL40 SS316 - DIN50	282	495	448	586	1761	40" Cod.7	1	DN50	DN50	1/2"CLAMP	1/2"CLAMP	4500	10	14
BFH-168 MINI SS316 DIN	307	472	429	591	1036	10" Cod.7	3	DN32	DN32	1/2"CLAMP	1"CLAMP	9000	8,6	17,5
BFH-168 MIDI SS316 DIN	307	472	429	591	1276	20" Cod.7	3	DN32	DN32	1/2"CLAMP	1"CLAMP	9000	14	19,5
BFH-168 MAXI SS316 DIN	307	472	429	591	1526	30" Cod.7	3	DN32	DN32	1/2"CLAMP	1"CLAMP	9000	19,6	21,5
BFH-168 SUPER MAXI SS316 DIN	307	472	429	591	1776	40" Cod.7	3	DN32	DN32	1/2"CLAMP	1"CLAMP	9000	25,5	23,5
BFH-219 MINI SS316 DIN	464	468	413	591	1054	10" Cod.7	5	DN50	DN50	1/2"CLAMP	1"CLAMP	15000	16	30,5
BFH-219 MIDI SS316 DIN	464	468	413	591	1294	20" Cod.7	5	DN50	DN50	1/2"CLAMP	1"CLAMP	15000	24	34,5
BFH-219 MAXI SS316 DIN	464	468	413	591	1544	30" Cod.7	5	DN50	DN50	1/2"CLAMP	1"CLAMP	15000	34	34
BFH-219 SUPER MAXI SS316 DIN	464	468	413	591	1794	40" Cod.7	5	DN50	DN50	1/2"CLAMP	1"CLAMP	15000	43	41,5
BFH-273 MINI SS316 DIN	496	468	413	591	1066	10" Cod.7	7	DN50	DN50	1/2"CLAMP	1"CLAMP	21000	23,6	36
BFH-273 MIDI SS316 DIN	496	468	413	591	1306	20" Cod.7	7	DN50	DN50	1/2"CLAMP	1"CLAMP	21000	37,6	40
BFH-273 MAXI SS316 DIN	496	468	413	591	1556	30" Cod.7	7	DN50	DN50	1/2"CLAMP	1"CLAMP	21000	52,3	43,5
BFH-273 SUPER MAXI SS316 DIN	496	468	413	591	1806	40" Cod.7	7	DN50	DN50	1/2"CLAMP	1"CLAMP	21000	66,9	47
BFH-350 MINI SS316 DIN	555	468	413	595	1127	10" Cod.7	10	DN50	DN50	1/2"CLAMP	1"CLAMP	30000	42,6	62,5
BFH-350 MIDI SS316 DIN	555	468	413	595	1367	20" Cod.7	10	DN50	DN50	1/2"CLAMP	1"CLAMP	30000	65,7	69,5
BFH-350 MAXI SS316 DIN	555	468	413	595	1617	30" Cod.7	10	DN50	DN50	1/2"CLAMP	1"CLAMP	30000	89,8	76,5
BFH-350 SUPER MAXI SS316 DIN	555	468	413	595	1867	40" Cod.7	10	DN50	DN50	1/2"CLAMP	1"CLAMP	30000	113,8	83
BFH-400 MINI SS316 DIN	620	468	413	595	1095	10" Cod.7	16	DN50	DN50	1/2"CLAMP	1"CLAMP	48000	50	73,5
BFH-400 MIDI SS316 DIN	620	468	413	595	1335	20" Cod.7	16	DN50	DN50	1/2"CLAMP	1"CLAMP	48000	80	81,5
BFH-400 MAXI SS316 DIN	620	468	413	595	1585	30" Cod.7	16	DN50	DN50	1/2"CLAMP	1"CLAMP	48000	110	89,5
BFH-400 SUPER MAXI SS316 DIN	620	468	413	595	1835	40" Cod.7	16	DN50	DN50	1/2"CLAMP	1"CLAMP	48000	140	97

<sup>(1)</sup> Portata / Flow Rate / Belastung

<sup>(2)</sup> Portata senza cartucce / Flow delivery without cartridges / Durchfluss ohne patronen Δp 0,2 Bar

<sup>(3)</sup> Volume / Volume /

<sup>(4)</sup> Peso / Weight / Gewicht

### FAM Water Tecnology

Via Aurelia Antica, 42 - 58100 GROSSETO - ITALY

Tel. +39 0564 416409 - Fax +39 0564 26347

[www.fam-wt.it](http://www.fam-wt.it) - email: [info@fam-wt.it](mailto:info@fam-wt.it)

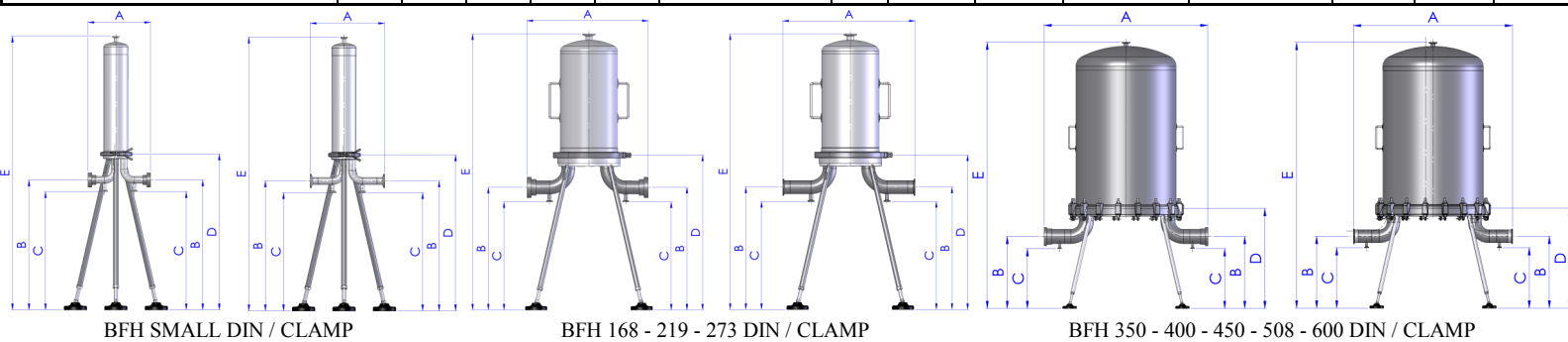
Tutti i dati riportati possono subire variazioni.

All the described data may undergo changes.

Alle Angaben können einige Variationen erfahren.

## BEVERAGE FILTER HOUSINGS - DIN 11851 IN / OUT CONNECTIONS

MODELLO TYPE	DIMENSIONI DIMENSIONS					CARTUCCE CARTRIDGES		ATTACCHI CONNECTIONS				Q <sup>(1)(2)</sup>	v <sup>(3)</sup>	W <sup>(4)</sup>
	A	B	C	D	E	SIZE / MISURA	N.°	IN	OUT	DRAIN	AIR VENTIL	Lt/h	Lt	Kg
BFH-450 MINI SS316 DIN	661	468	413	595	1109	10" Cod.7	21	DN50	DN50	1/2"CLAMP	1"CLAMP	63000	70	87,5
BFH-450 MIDI SS316 DIN	661	468	413	595	1349	20" Cod.7	21	DN50	DN50	1/2"CLAMP	1"CLAMP	63000	110	96,5
BFH-450 MAXI SS316 DIN	661	468	413	595	1599	30" Cod.7	21	DN50	DN50	1/2"CLAMP	1"CLAMP	63000	150	105,5
BFH-450 SUPER MAXI SS316 DIN	661	468	413	595	1849	40" Cod.7	21	DN50	DN50	1/2"CLAMP	1"CLAMP	63000	180	114
BFH-508 MINI SS316 DIN	883	429	361	595	1062	10" Cod.7	28	DN65	DN65	1/2"CLAMP	1"CLAMP	84000	80	119,5
BFH-508 MIDI SS316 DIN	883	429	361	595	1312	20" Cod.7	28	DN65	DN65	1/2"CLAMP	1"CLAMP	84000	129	133,5
BFH-508 MAXI SS316 DIN	883	429	361	595	1562	30" Cod.7	28	DN65	DN65	1/2"CLAMP	1"CLAMP	84000	178	148
BFH-508 SUPER MAXI SS316 DIN	883	429	361	595	1812	40" Cod.7	28	DN65	DN65	1/2"CLAMP	1"CLAMP	84000	227	161,5
BFH-600 MINI SS316 DIN	980	429	357	595	1085	10" Cod.7	39	DN80	DN80	1/2"CLAMP	1"CLAMP	117000	115	151
BFH-600 MIDI SS316 DIN	980	429	357	595	1335	20" Cod.7	39	DN80	DN80	1/2"CLAMP	1"CLAMP	117000	184	170,5
BFH-600 MAXI SS316 DIN	980	429	357	595	1585	30" Cod.7	39	DN80	DN80	1/2"CLAMP	1"CLAMP	117000	252	190,5
BFH-600 SUPER MAXI SS316 DIN	980	429	357	595	1835	40" Cod.7	39	DN80	DN80	1/2"CLAMP	1"CLAMP	117000	320	209



## BEVERAGE FILTER HOUSINGS - CLAMP IN / OUT CONNECTIONS

MODELLO TYPE	DIMENSIONI DIMENSIONS					CARTUCCE CARTRIDGES		ATTACCHI CONNECTIONS			Q <sup>(1)(2)</sup>	v <sup>(3)</sup>	W <sup>(4)</sup>
	A	B	C	D	E	SIZE / MISURA	N.°	IN / OUT	DRAIN	AIR VENTIL	Lt/h	Lt	Kg
BFH-SMALL10 SS316 - CLAMP	271	472	429	565	997	10" Cod.7	1	1" CLAMP	1/2"CLAMP	1/2"CLAMP	3000	2,5	8
BFH-SMALL20 SS316 - CLAMP	271	472	429	565	1237	20" Cod.7	1	1" CLAMP	1/2"CLAMP	1/2"CLAMP	3000	4,5	9
BFH-SMALL30 SS316 - CLAMP	271	472	429	565	1487	30" Cod.7	1	1" CLAMP	1/2"CLAMP	1/2"CLAMP	3000	5,6	10
BFH-SMALL40 SS316 - CLAMP	271	472	429	565	1737	40" Cod.7	1	1" CLAMP	1/2"CLAMP	1/2"CLAMP	3000	7,6	11
BFH-SMALL10 SS316 - CLAMP 1" 1/2	282	495	448	586	1011	10" Cod.7	1	1" 1/2 CLAMP	1/2"CLAMP	1/2"CLAMP	4000	4	9,5
BFH-SMALL20 SS316 - CLAMP 1" 1/2	282	495	448	586	1261	20" Cod.7	1	1" 1/2 CLAMP	1/2"CLAMP	1/2"CLAMP	4000	6	11
BFH-SMALL30 SS316 - CLAMP 1" 1/2	282	495	448	586	1511	30" Cod.7	1	1" 1/2 CLAMP	1/2"CLAMP	1/2"CLAMP	4000	8	12,5
BFH-SMALL40 SS316 - CLAMP 1" 1/2	282	495	448	586	1761	40" Cod.7	1	1" 1/2 CLAMP	1/2"CLAMP	1/2"CLAMP	4000	10	14
BFH-SMALL10 SS316 - CLAMP 2"	282	495	448	586	1011	10" Cod.7	1	2" CLAMP	1/2"CLAMP	1/2"CLAMP	4500	4	9,5
BFH-SMALL20 SS316 - CLAMP 2"	282	495	448	586	1261	20" Cod.7	1	2" CLAMP	1/2"CLAMP	1/2"CLAMP	4500	6	11
BFH-SMALL30 SS316 - CLAMP 2"	282	495	448	586	1511	30" Cod.7	1	2" CLAMP	1/2"CLAMP	1/2"CLAMP	4500	8	12,5
BFH-SMALL40 SS316 - CLAMP 2"	282	495	448	586	1761	40" Cod.7	1	2" CLAMP	1/2"CLAMP	1/2"CLAMP	4500	10	14

<sup>(1)</sup> Portata / Flow Rate / Belastung

<sup>(2)</sup> Portata senza cartucce / Flow delivery without cartridges / Durchfluss ohne patronen Δp 0,2 Bar

<sup>(3)</sup> Volume / Volume /

<sup>(4)</sup> Peso / Weight / Gewicht

**FAM Water Tecnology**

Via Aurelia Antica, 42 - 58100 GROSSETO - ITALY

Tel. +39 0564 416409 - Fax +39 0564 26347

[www.fam-wt.it](http://www.fam-wt.it) - email: [info@fam-wt.it](mailto:info@fam-wt.it)

Tutti i dati riportati possono subire variazioni.

All the described data may undergo changes.

Alle Angaben können einige Variationen erfahren.



## BEVERAGE FILTER HOUSINGS - CLAMP IN / OUT CONNECTIONS

MODELLO TYPE	DIMENSIONI DIMENSIONS					CARTUCCE CARTRIDGES		ATTACCHI CONNECTIONS			Q <sup>(1)(2)</sup>	V <sup>(3)</sup>	W <sup>(4)</sup>
	A	B	C	D	E	SIZE / MISURA	N.°	IN / OUT	DRAIN	AIR VENTIL	Lt/h	Lt	Kg
BFH-168 MINI SS316 CLAMP	330	424	375	591	1036	10" Cod.7	3	1" 1/2 CLAMP	1/2"CLAMP	1"CLAMP	9000	8,6	17,5
BFH-168 MIDI SS316 CLAMP	330	424	375	591	1276	20" Cod.7	3	1" 1/2 CLAMP	1/2"CLAMP	1"CLAMP	9000	14	19,5
BFH-168 MAXI SS316 CLAMP	330	424	375	591	1526	30" Cod.7	3	1" 1/2 CLAMP	1/2"CLAMP	1"CLAMP	9000	19,6	21,5
BFH-168 SUPER MAXI SS316 CLAMP	330	424	375	591	1776	40" Cod.7	3	1" 1/2 CLAMP	1/2"CLAMP	1"CLAMP	9000	25,5	23,5
BFH-219 MINI SS316 CLAMP	468	468	413	591	1054	10" Cod.7	5	2" CLAMP	1/2"CLAMP	1"CLAMP	15000	16	30,5
BFH-219 MIDI SS316 CLAMP	468	468	413	591	1294	20" Cod.7	5	2" CLAMP	1/2"CLAMP	1"CLAMP	15000	24	34,5
BFH-219 MAXI SS316 CLAMP	468	468	413	591	1544	30" Cod.7	5	2" CLAMP	1/2"CLAMP	1"CLAMP	15000	34	34
BFH-219 SUPER MAXI SS316 CLAMP	468	468	413	591	1794	40" Cod.7	5	2" CLAMP	1/2"CLAMP	1"CLAMP	15000	43	41,5
BFH-273 MINI SS316 CLAMP	539	468	413	591	1066	10" Cod.7	7	2" CLAMP	1/2"CLAMP	1"CLAMP	21000	23,6	36
BFH-273 MIDI SS316 CLAMP	539	468	413	591	1306	20" Cod.7	7	2" CLAMP	1/2"CLAMP	1"CLAMP	21000	37,6	40
BFH-273 MAXI SS316 CLAMP	539	468	413	591	1556	30" Cod.7	7	2" CLAMP	1/2"CLAMP	1"CLAMP	21000	52,3	43,5
BFH-273 SUPER MAXI SS316 CLAMP	539	468	413	591	1806	40" Cod.7	7	2" CLAMP	1/2"CLAMP	1"CLAMP	21000	66,9	47
BFH-350 MINI SS316 CLAMP	598	468	413	595	1127	10" Cod.7	10	2" CLAMP	1/2"CLAMP	1"CLAMP	30000	42,6	62,5
BFH-350 MIDI SS316 CLAMP	598	468	413	595	1367	20" Cod.7	10	2" CLAMP	1/2"CLAMP	1"CLAMP	30000	65,7	69,5
BFH-350 MAXI SS316 CLAMP	598	468	413	595	1617	30" Cod.7	10	2" CLAMP	1/2"CLAMP	1"CLAMP	30000	89,8	76,5
BFH-350 SUPER MAXI SS316 CLAMP	598	468	413	595	1867	40" Cod.7	10	2" CLAMP	1/2"CLAMP	1"CLAMP	30000	113,8	83
BFH-400 MINI SS316 CLAMP	663	468	413	595	1095	10" Cod.7	16	2" CLAMP	1/2"CLAMP	1"CLAMP	48000	50	73,5
BFH-400 MIDI SS316 CLAMP	663	468	413	595	1335	20" Cod.7	16	2" CLAMP	1/2"CLAMP	1"CLAMP	48000	80	81,5
BFH-400 MAXI SS316 CLAMP	663	468	413	595	1585	30" Cod.7	16	2" CLAMP	1/2"CLAMP	1"CLAMP	48000	110	89,5
BFH-400 SUPER MAXI SS316 CLAMP	663	468	413	595	1835	40" Cod.7	16	2" CLAMP	1/2"CLAMP	1"CLAMP	48000	140	97
BFH-450 MINI SS316 CLAMP	704	468	413	595	1109	10" Cod.7	21	2" CLAMP	1/2"CLAMP	1"CLAMP	63000	70	87,5
BFH-450 MIDI SS316 CLAMP	704	468	413	595	1349	20" Cod.7	21	2" CLAMP	1/2"CLAMP	1"CLAMP	63000	110	96,5
BFH-450 MAXI SS316 CLAMP	704	468	413	595	1599	30" Cod.7	21	2" CLAMP	1/2"CLAMP	1"CLAMP	63000	150	105,5
BFH-450 SUPER MAXI SS316 CLAMP	704	468	413	595	1849	40" Cod.7	21	2" CLAMP	1/2"CLAMP	1"CLAMP	63000	180	114
BFH-508 MINI SS316 CLAMP	921	429	361	595	1062	10" Cod.7	28	3" CLAMP	1/2"CLAMP	1"CLAMP	84000	80	119,5
BFH-508 MIDI SS316 CLAMP	921	429	361	595	1312	20" Cod.7	28	3" CLAMP	1/2"CLAMP	1"CLAMP	84000	129	133,5
BFH-508 MAXI SS316 CLAMP	921	429	361	595	1562	30" Cod.7	28	3" CLAMP	1/2"CLAMP	1"CLAMP	84000	178	148
BFH-508 SUPER MAXI SS316 CLAMP	921	429	361	595	1812	40" Cod.7	28	3" CLAMP	1/2"CLAMP	1"CLAMP	84000	227	161,5
BFH-600 MINI SS316 CLAMP	951	429	361	595	1085	10" Cod.7	39	3" CLAMP	1/2"CLAMP	1"CLAMP	117000	115	151
BFH-600 MIDI SS316 CLAMP	951	429	361	595	1335	20" Cod.7	39	3" CLAMP	1/2"CLAMP	1"CLAMP	117000	184	170,5
BFH-600 MAXI SS316 CLAMP	951	429	361	595	1585	30" Cod.7	39	3" CLAMP	1/2"CLAMP	1"CLAMP	117000	252	190,5
BFH-600 SUPER MAXI SS316 CLAMP	951	429	361	595	1835	40" Cod.7	39	3" CLAMP	1/2"CLAMP	1"CLAMP	117000	320	209

<sup>(1)</sup> Portata / Flow Rate / Belastung

<sup>(2)</sup> Portata senza cartucce / Flow delivery without cartridges / Durchfluss ohne patronen  $\Delta p$  0,2 Bar

<sup>(3)</sup> Volume / Volume /

<sup>(4)</sup> Peso / Weight / Gewicht

### FAM Water Technology

Via Aurelia Antica, 42 - 58100 GROSSETO - ITALY

Tel. +39 0564 416409 - Fax +39 0564 26347

[www.fam-wt.it](http://www.fam-wt.it) - email: [info@fam-wt.it](mailto:info@fam-wt.it)

Tutti i dati riportati possono subire variazioni.

All the described data may undergo changes.

Alle Angaben können einige Variationen erfahren.



### DATI DI PROGETTO STANDARD / STANDARD PROJECT DETAILS

PRESSIONE MASSIMA DI LAVORO / MAXIMUM WORKING PRESSURE / MAXIMALER ARBEITSDRUCK	10 BAR
PRESSIONE DI TEST / TESTING PRESSURE / TESTDRUCK	15 BAR
TEMPERATURA MASSIMA DI LAVORO / MAXIMUM WORKING TEMPERATURE / MAXIMALE ARBEITSTEMPERATUR	150°C
CERTIFICAZIONE / CERTIFICATION / ZERTIFIZIERUNG	PED 97/23/CE
GRUPPO FLUIDI / FLUID GROUPS / FLÜSSIGKEITSAGGREGAT	1 - 2 (*)
(*) Pericolosi e non pericolosi / Dangerous and not-dangerous / gefährliche und ungefährliche Flüssigkeiten	

### IMPIEGO

Questa tipologia di contenitori è indicata per la filtrazione e la sterilizzazione dei liquidi utilizzati nell'industria alimentare per la filtrazione di vini, liquori, birra, distillati, sciroppi, succhi di frutta, cosmetici, solventi, acidi, ecc.

### COSTRUZIONE

Questa tipologia di contenitori, viene costruita interamente in acciaio inox AISI 316L, attacchi IN-OUT tipo CLAMP o DIN 11851; sono dotati di sfiato sul fondo superiore e scarichi sulle connessioni IN-OUT dove su richiesta è possibile fornire valvole attacco CLAMP o DIN. I contenitori sono completamente smontabili e pertanto di facile pulizia, manutenzione e sanificazione. I piedini di appoggio realizzati in acciaio inox sono smontabili e regolabili. La finitura interna ed esterna, viene eseguita tramite spazzolatura ed elettrolucidatura, in modo tale da ridurre al minimo eventuali ristagni di particelle e batteri. Su richiesta è possibile richiedere finitura interna con rugosità 0,4 RA. Le guarnizioni standard sono in EPDM atossico, ma su richiesta è possibile fornire OR con mescole diverse. La chiusura dei contenitori è assicurata tramite V CLAMP in acciaio inox o tramite speciali morsetti CLAMP inox. La tipologia di costruzione, prevede contenitori in grado di alloggiare 1-3-5-7-10-16-21-28-39 cartucce cod. 7 con lunghezza nominale da 10"- 20"- 30"- 40".

### APPLICATIONS

This type of container is suited for filtering and sterilizing liquids used in the food industries for filtering wine, liqueurs, beer, distilled drinks, syrups, fruit juice, cosmetics, solvents, acids, etc.

### MANUFACTURE

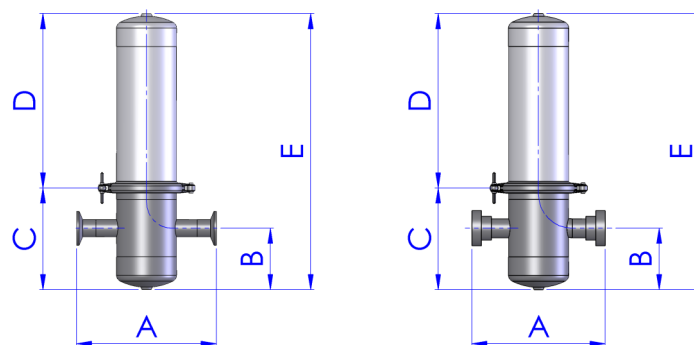
The container is entirely made of AISI 316L stainless steel and CLAMP or DIN 11851 type IN-OUT connections; there is a vent on the upper bottom and outlets on the IN-OUT connections where it is also possible to supply CLAMP or DIN valve connections on request. The containers can be completely taken apart for easy cleaning, maintenance and disinfection. The stainless steel supporting feet can be detached and are adjustable. The inside and outside finishing coat is made by brushing and electro-polishing, thus reducing eventual stagnation of particles and bacteria to a minimum. It is possible to have internal finishing with 0.4 RA roughness on request. The standard seals are in non-toxic EPDM, but it is also possible to supply gaskets made of different compounds on request. The containers are closed by a stainless steel V CLAMP or by special stainless steel CLAMPS. The construction is designed for containers with a capacity for 1-3-5-7-10-16-21-28-39 code 7 cartridges with rated length at 10"- 20"- 30"- 40".

### EINSATZ

Diese Behälter dienen der Filterung und der Sterilisation von Flüssigkeiten in der Lebensmittelindustrie, der Filterung von Weinen, Likören, Bier, Destillaten, Sirup, Obstsaften, Kosmetika, Lösungsmitteln, Säuren usw.

### BAU

Dieser Behältertyp besteht vollständig aus Edelstahl AISI 316L; IN/OUT-Anschlüsse vom Typ CLAMP oder DIN 11851; er verfügt über ein Entlüftungsloch auf dem oberen Boden und über Abflüsse an den IN/OUT-Anschlüssen. Auf Wunsch kann dort das Anschlussventil CLAMP oder DIN angebracht werden. Die Behälter können vollständig auseinander genommen werden und sind somit einfach zu reinigen, warten und desinfizieren. Die Füße bestehen aus Edelstahl und können abgenommen und eingestellt werden. Interne und externe Fertigverarbeitung durch Abbürsten und Elektropolierung, so dass eventuelles Absetzen von Partikeln und Bakterien auf ein Mindestmaß verringert wird. Auf Wunsch ist innen auch eine raue Ausführung 0,4 RA erhältlich. Standarddichtung aus ungiftigem Silikon; auf Wunsch kann OR mit unterschiedlichen Mischungen geliefert werden. Die Behälter sind durch V CLAMP aus Edelstahl verschlossen oder durch spezielle CLAMP Klemmen aus Edelstahl. Der Bautyp sieht Behälter vor, die 1-3-5-7-10-16-21-28-38 Patronen Code 7 mit einer Nennlänge von 10"- 20"- 30"- 40" aufnehmen können.



FILTER HOUSING COD.7 WITHOUT LEGS CLAMP / DIN

### FAM Water Tecnology

Via Aurelia Antica, 42 - 58100 GROSSETO - ITALY

Tel. +39 0564 416409 - Fax +39 0564 26347

[www.fam-wt.it](http://www.fam-wt.it) - email: [info@fam-wt.it](mailto:info@fam-wt.it)

Tutti i dati riportati possono subire variazioni.

All the described data may undergo changes.

Alle Angaben können einige Variationen erfahren.



## FILTER HOUSINGS COD.7 WITHOUT LEGS

MODELLO TYPE	DIMENSIONI DIMENSIONS					CARTUCCE CARTRIDGES		ATTACCHI CONNECTIONS			Q <sup>(1)(2)</sup>	V <sup>(3)</sup>	W <sup>(4)</sup>
	A	B	C	D	E	SIZE / MISURA	N.°	IN / OUT	DRAIN	AIR VENTIL	Lt/h	Lt	Kg
BFH-SMALL05 SS316 CLAMP	207	91	151	259	406	5" Cod.7	1	1" CLAMP	1/4"	1/4"	3000	2	3
BFH-SMALL10 SS316 CLAMP	207	91	151	409	559	10" Cod.7	1	1" CLAMP	1/4"	1/4"	3000	3	3,5
BFH-SMALL20 SS316 CLAMP	207	91	151	649	799	20" Cod.7	1	1" CLAMP	1/4"	1/4"	3000	4,5	4,5
BFH-SMALL30 SS316 CLAMP	207	91	151	899	1049	30" Cod.7	1	1" CLAMP	1/4"	1/4"	3000	6	5,5
BFH-SMALL40 SS316 CLAMP	207	91	151	1149	1299	40" Cod.7	1	1" CLAMP	1/4"	1/4"	3000	7	7
BFH-SMALL05 SS316 CLAMP 1" 1/2	197	108	196	192	388	5" Cod.7	1	1" 1/2 CLAMP	1/2"	1/2"	4000	3,5	4,5
BFH-SMALL10 SS316 CLAMP 1" 1/2	197	108	196	374	570	10" Cod.7	1	1" 1/2 CLAMP	1/2"	1/2"	4000	5	5,5
BFH-SMALL20 SS316 CLAMP 1" 1/2	197	108	196	614	810	20" Cod.7	1	1" 1/2 CLAMP	1/2"	1/2"	4000	7	7
BFH-SMALL30 SS316 CLAMP 1" 1/2	197	108	196	864	1060	30" Cod.7	1	1" 1/2 CLAMP	1/2"	1/2"	4000	10	8
BFH-SMALL40 SS316 CLAMP 1" 1/2	197	108	196	1114	1310	40" Cod.7	1	1" 1/2 CLAMP	1/2"	1/2"	4000	12	9,5
BFH-SMALL05 SS316 CLAMP 2"	221	108	196	192	388	5" Cod.7	1	2" CLAMP	1/2"	1/2"	4500	3,5	5
BFH-SMALL10 SS316 CLAMP 2"	221	108	196	374	570	10" Cod.7	1	2" CLAMP	1/2"	1/2"	4500	5	6
BFH-SMALL20 SS316 CLAMP 2"	221	108	196	614	810	20" Cod.7	1	2" CLAMP	1/2"	1/2"	4500	7	7,5
BFH-SMALL30 SS316 CLAMP 2"	221	108	196	864	1060	30" Cod.7	1	2" CLAMP	1/2"	1/2"	4500	10	8,5
BFH-SMALL40 SS316 CLAMP 2"	221	108	196	1114	1310	40" Cod.7	1	2" CLAMP	1/2"	1/2"	4500	12	10
BFH-SMALL05 SS316 DIN	198	91	151	259	406	5" Cod.7	1	DN25	1/4"	1/4"	3000	2	3
BFH-SMALL10 SS316 DIN	198	91	151	409	559	10" Cod.7	1	DN25	1/4"	1/4"	3000	3	3,5
BFH-SMALL20 SS316 DIN	198	91	151	649	799	20" Cod.7	1	DN25	1/4"	1/4"	3000	4,5	4,5
BFH-SMALL30 SS316 DIN	198	91	151	899	1049	30" Cod.7	1	DN25	1/4"	1/4"	3000	6	5,5
BFH-SMALL40 SS316 DIN	198	91	151	1149	1299	40" Cod.7	1	DN25	1/4"	1/4"	3000	7	7
BFH-SMALL05 SS316 DIN DN32	206	108	196	192	388	5" Cod.7	1	DN32	1/2"	1/2"	3500	3,5	4,5
BFH-SMALL10 SS316 DIN DN32	206	108	196	374	570	10" Cod.7	1	DN32	1/2"	1/2"	3500	5	5,5
BFH-SMALL20 SS316 DIN DN32	206	108	196	614	810	20" Cod.7	1	DN32	1/2"	1/2"	3500	7	7
BFH-SMALL30 SS316 DIN DN32	206	108	196	864	1060	30" Cod.7	1	DN32	1/2"	1/2"	3500	10	8
BFH-SMALL40 SS316 DIN DN32	206	108	196	1114	1310	40" Cod.7	1	DN32	1/2"	1/2"	3500	12	9,5
BFH-SMALL05 SS316 DIN DN40	206	108	196	192	388	5" Cod.7	1	DN40	1/2"	1/2"	4000	3,5	4,5
BFH-SMALL10 SS316 DIN DN40	206	108	196	374	570	10" Cod.7	1	DN40	1/2"	1/2"	4000	5	5,5
BFH-SMALL20 SS316 DIN DN40	206	108	196	614	810	20" Cod.7	1	DN40	1/2"	1/2"	4000	7	7
BFH-SMALL30 SS316 DIN DN40	206	108	196	864	1060	30" Cod.7	1	DN40	1/2"	1/2"	4000	10	8
BFH-SMALL40 SS316 DIN DN40	206	108	196	1114	1310	40" Cod.7	1	DN40	1/2"	1/2"	4000	12	9,5
BFH-SMALL05 SS316 DIN DN50	234	108	196	192	388	5" Cod.7	1	DN50	1/2"	1/2"	4500	3,5	5
BFH-SMALL10 SS316 DIN DN50	234	108	196	374	570	10" Cod.7	1	DN50	1/2"	1/2"	4500	5	6
BFH-SMALL20 SS316 DIN DN50	234	108	196	614	810	20" Cod.7	1	DN50	1/2"	1/2"	4500	7	7,5
BFH-SMALL30 SS316 DIN DN50	234	108	196	864	1060	30" Cod.7	1	DN50	1/2"	1/2"	4500	10	8,5
BFH-SMALL40 SS316 DIN DN50	234	108	196	1114	1310	40" Cod.7	1	DN50	1/2"	1/2"	4500	12	10

<sup>(1)</sup> Portata / Flow Rate / Belastung

<sup>(2)</sup> Portata senza cartucce / Flow delivery without cartridges / Durchfluss ohne patronen Δp 0,2 Bar

<sup>(3)</sup> Volume / Volume /

<sup>(4)</sup> Peso / Weight / Gewicht

### FAM Water Tecnology

Via Aurelia Antica, 42 - 58100 GROSSETO - ITALY

Tel. +39 0564 416409 - Fax +39 0564 26347

[www.fam-wt.it](http://www.fam-wt.it) - email: [info@fam-wt.it](mailto:info@fam-wt.it)

Tutti i dati riportati possono subire variazioni.

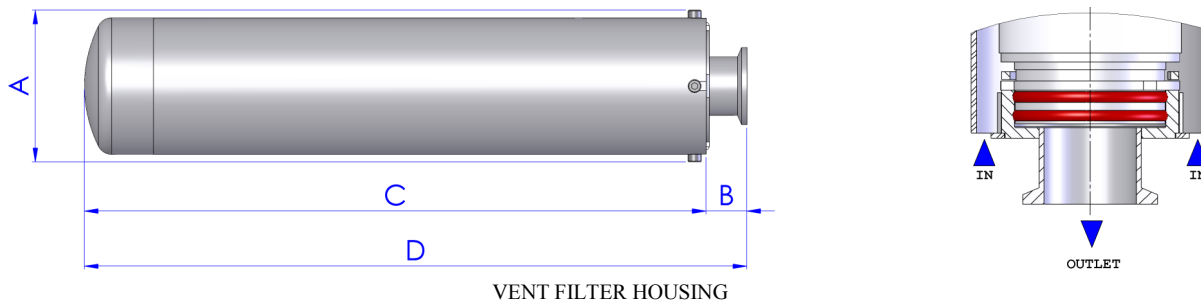
All the described data may undergo changes.

Alle Angaben können einige Variationen erfahren.

### VENT FILTER HOUSING

MODELLO TYPE	DIMENSIONI DIMENSIONS					CARTUCCE CARTRIDGES		ATTACCHI CONNECTIONS			Q <sup>(1)(2)</sup>	V <sup>(3)</sup>	W <sup>(4)</sup>
	A	B	C	D	E	SIZE / MISURA	N.°	OUT	DRAIN	AIR VENTIL	Lt/h	Lt	Kg
VFH 1 x 5" 1 TC	99	27	210	237	-	5" Cod.7	1	1" CLAMP	-	-	3000	1	1,5
VFH 1 x 10" 1,5 TC	99	27	405	432	-	10" Cod.7	1	1" 1/2 CLAMP	-	-	3500	2	2
VFH 1 x 20" 1,5 TC	99	27	645	672	-	20" Cod.7	1	1" 1/2 CLAMP	-	-	3500	3,5	3
VFH 1 x 30" 1,5 TC	99	27	895	922	-	30" Cod.7	1	1" 1/2 CLAMP	-	-	3500	5	4
VFH 3 x 10" DN80	229	95	415	510	-	10" Cod.7	3	DN80	-	-	9000	15	10
VFH 3 x 20" DN80	229	95	665	760	-	20" Cod.7	3	DN80	-	-	9000	24,5	13
VFH 3 x 30" DN80	229	95	915	1010	-	30" Cod.7	3	DN80	-	-	9000	34	15,5

Finitura interna / Internal finishing 0,8 µm - Finitura esterna / External finishing 1,2 µm

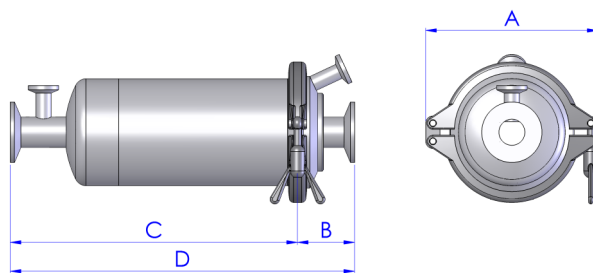


VENT FILTER HOUSING

### SANITARY VENT FILTER HOUSING - Ra 0,6 µm

MODELLO TYPE	DIMENSIONI DIMENSIONS					CARTUCCE CARTRIDGES		ATTACCHI CONNECTIONS			Q <sup>(1)(2)</sup>	V <sup>(3)</sup>	W <sup>(4)</sup>
	A	B	C	D	E	SIZE / MISURA	N.°	IN / OUT	DRAIN	AIR VENTIL	Lt/h	Lt	Kg
SVFH 1 x 5" 1 TC	144	46	242	288	-	5" Cod.7	1	1" CLAMP	1/2" CLAMP	1/2" CLAMP	3000	1	2
SVFH 1 x 10" 1 TC	144	46	382	428	-	10" Cod.7	1	1" CLAMP	1/2" CLAMP	1/2" CLAMP	3000	2	3
SVFH 1 x 20" 1 TC	144	46	691	737	-	20" Cod.7	1	1" CLAMP	1/2" CLAMP	1/2" CLAMP	3000	3,5	4
SVFH 1 x 30" 1 TC	144	46	941	987	-	30" Cod.7	1	1" CLAMP	1/2" CLAMP	1/2" CLAMP	3000	5	5
SVFH 1 x 5" 1,5 TC	144	46	242	288	-	5" Cod.7	1	1" 1/2 CLAMP	1/2" CLAMP	1/2" CLAMP	3500	1	2
SVFH 1 x 10" 1,5 TC	144	46	382	428	-	10" Cod.7	1	1" 1/2 CLAMP	1/2" CLAMP	1/2" CLAMP	3500	2	3
SVFH 1 x 20" 1,5 TC	144	46	691	737	-	20" Cod.7	1	1" 1/2 CLAMP	1/2" CLAMP	1/2" CLAMP	3500	3,5	4
SVFH 1 x 30" 1,5 TC	144	46	941	987	-	30" Cod.7	1	1" 1/2 CLAMP	1/2" CLAMP	1/2" CLAMP	3500	5	5

Finitura interna / Internal finishing 0,2 µm - Finitura esterna / External finishing 0,4 µm



SANITARY VENT FILTER HOUSING

<sup>(1)</sup> Portata / Flow Rate / Belastung

<sup>(2)</sup> Portata senza cartucce / Flow delivery without cartridges / Durchfluss ohne patronen Δp 0,2 Bar

<sup>(3)</sup> Volume / Volume /

<sup>(4)</sup> Peso / Weight / Gewicht

### SANITARY VENT FILTER HOUSING WITH THERMAL JACKET - Ra 0,6 µm

MODELLO TYPE	DIMENSIONI DIMENSIONS						CARTUCCE CARTRIDGES		ATTACCHI CONNECTIONS				Q <sup>(1)(2)</sup>	V <sup>(3)</sup>	W <sup>(4)</sup>
	A	B	C	D	E	F	SIZE / MISURA	N.°	IN / OUT	DRAIN	AIR VENTIL	JACKET	Lt/h	Lt	Kg
SVFH 1 x 5" 1 TC + TJ	144	46	242	288	111	161	5" Cod.7	1	1" CLAMP	1/2" CLAMP	1/2" CLAMP	1/2"	3000	1	2,5
SVFH 1 x 10" 1 TC + TJ	144	46	382	428	111	301	10" Cod.7	1	1" CLAMP	1/2" CLAMP	1/2" CLAMP	1/2"	3000	2	4
SVFH 1 x 20" 1 TC + TJ	144	46	691	737	111	611	20" Cod.7	1	1" CLAMP	1/2" CLAMP	1/2" CLAMP	1/2"	3000	3,5	7
SVFH 1 x 30" 1 TC + TJ	144	46	941	987	111	861	30" Cod.7	1	1" CLAMP	1/2" CLAMP	1/2" CLAMP	1/2"	3000	5	9,5
SVFH 1 x 5" 1,5 TC + TJ	144	46	242	288	111	161	5" Cod.7	1	1" 1/2 CLAMP	1/2" CLAMP	1/2" CLAMP	1/2"	3500	1	2,5
SVFH 1 x 10" 1,5 TC + TJ	144	46	382	428	111	301	10" Cod.7	1	1" 1/2 CLAMP	1/2" CLAMP	1/2" CLAMP	1/2"	3500	2	4
SVFH 1 x 20" 1,5 TC + TJ	144	46	691	737	111	611	20" Cod.7	1	1" 1/2 CLAMP	1/2" CLAMP	1/2" CLAMP	1/2"	3500	3,5	7
SVFH 1 x 30" 1,5 TC + TJ	144	46	941	987	111	861	30" Cod.7	1	1" 1/2 CLAMP	1/2" CLAMP	1/2" CLAMP	1/2"	3500	5	9,5

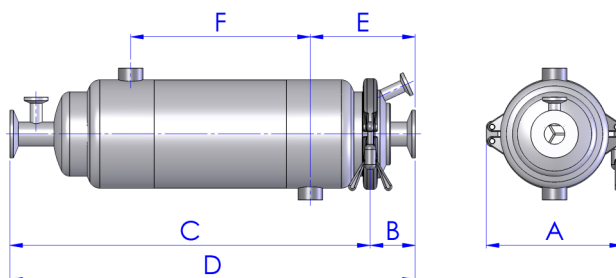
<sup>(1)</sup> Portata / Flow Rate / Belastung

<sup>(2)</sup> Portata senza cartucce / Flow delivery without cartridges / Durchfluss ohne patronen Δp 0,2 Bar

<sup>(3)</sup> Volume / Volume /

<sup>(4)</sup> Peso / Weight / Gewicht

Finitura interna / Internal finishing 0,2 µm - Finitura esterna / External finishing 0,4 µm



SANITARY VENT FILTER HOUSING WITH THERMAL JACKET

### CARTRIDGE Cod.7 P-FIN



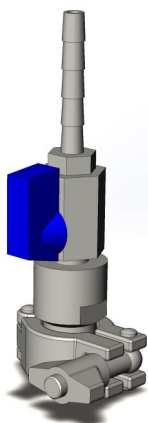
TYPE	SIZE
Cod.7	10" - 20" - 30" - 40"



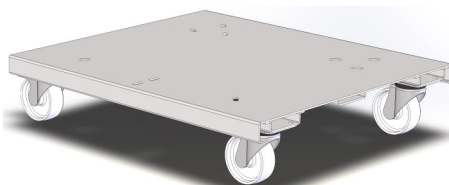
## BEVERAGE OPTIONAL



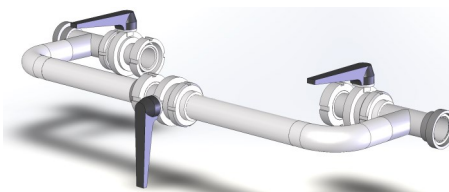
SANITARY  
SAMPLE KIT



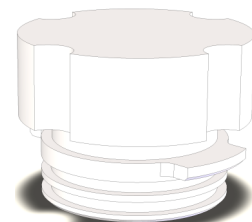
SAMPLE KIT



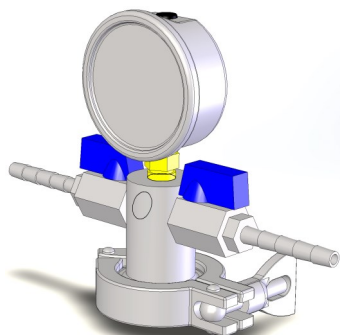
TROLLEY



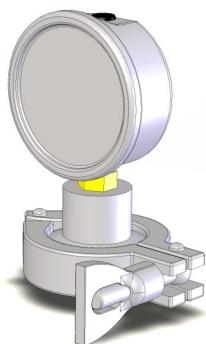
BY-PASS



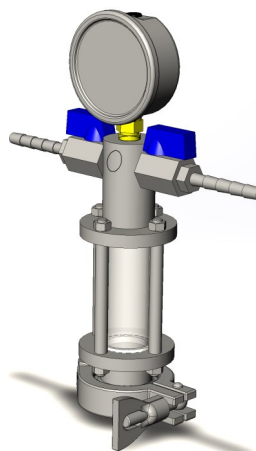
PLUG FOR COD.7  
CONNECTIONS



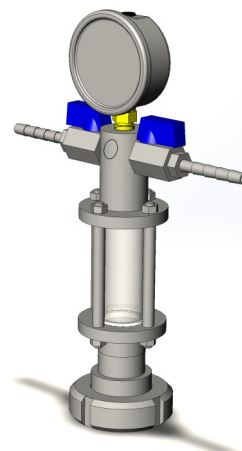
MANOMETER KIT



SANITARY  
MANOMETER KIT



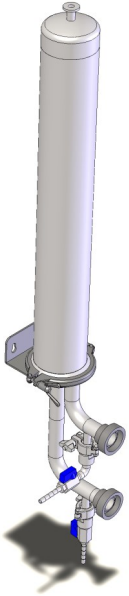
SIGHT GLASS KIT DIN



SIGHT GLASS KIT CLAMP



## SPECIAL CONSTRUCTION



BFH-SMALL  
WITH IN AND OUT  
IN THE SAME SIDE



BFH-SMALL  
WITH MANOMETER  
IN OUTLET

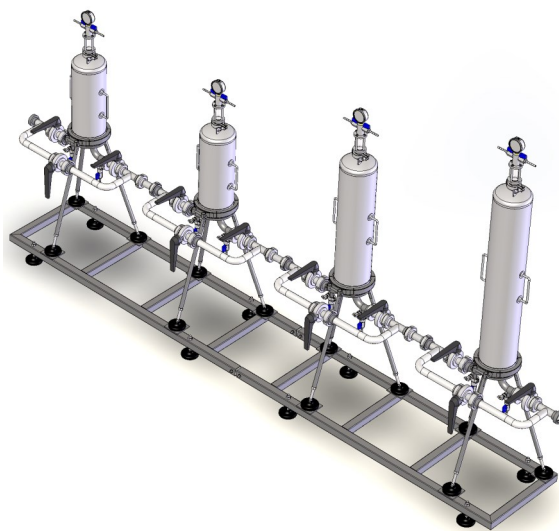


BFH-450  
TOP OPENING

## FILTER ON TROLLEY OR SKID



TWO FILTER ON TROLLEY



FOUR FILTER ON SKID



THREE FILTER ON TROLLEY